

DESIGNED AND DIMENSIONED
IN MILLIMETERS [INCHES]

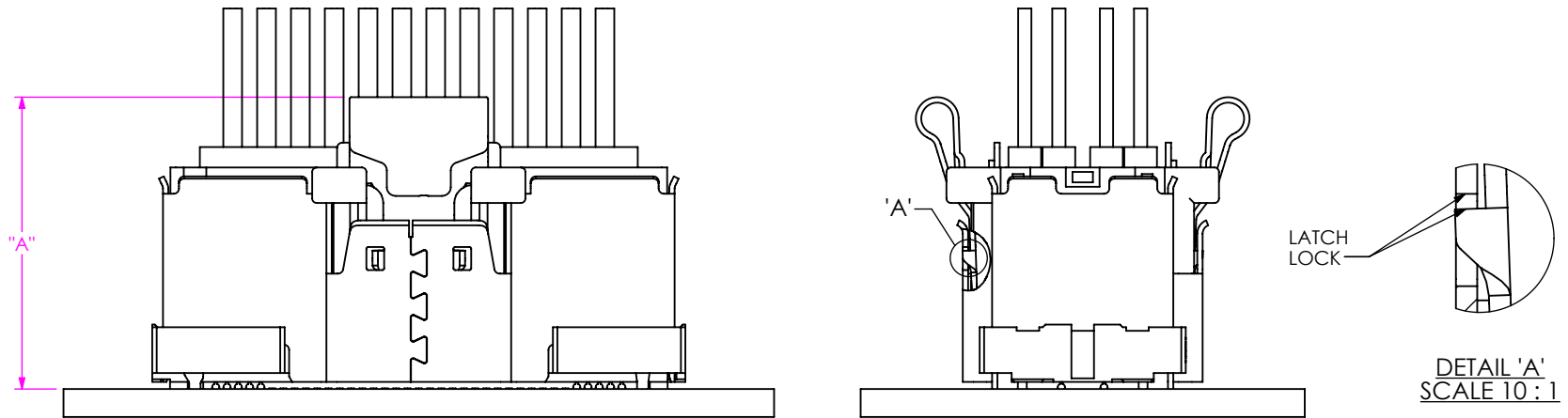


FIG 1
ARP6-L MATED WITH APF6-L

		TABLE 1			
		ARP6		WIPE	
		"A" FULLY MATED	"A" MAX	FULLY MATED	MIN @ "A" MAX
APF6-L	03.5	16.44 [.647]	16.65 [.656]	0.92 [.036]	0.71 [.028]

NOTES:

1. ALL DIMENSIONS BASED ON NOMINAL VALUES FOR SAMTEC RECOMMENDED PCB LAYOUTS.
2. ALTHOUGH MAX DIMENSIONS ARE LISTED SAMTEC RECOMMENDS FULLY MATING COMPONENTS

PROPRIETARY NOTE
 THIS DOCUMENT CONTAINS CONFIDENTIAL AND PROPRIETARY INFORMATION AND ALL DESIGN, MANUFACTURING, REPRODUCTION, USE, PATENT RIGHTS AND SALES RIGHTS ARE EXPRESSLY RESERVED BY SAMTEC, INC. THIS DOCUMENT SHALL NOT BE DISCLOSED, IN WHOLE OR PART, TO ANY UNAUTHORIZED PERSON OR ENTITY NOR REPRODUCED, TRANSFERRED OR INCORPORATED IN ANY OTHER PROJECT IN ANY MANNER WITHOUT THE EXPRESS WRITTEN CONSENT OF SAMTEC, INC.



520 PARK EAST BLVD, NEW ALBANY, IN 47150
 PHONE: 812-944-6733 FAX: 812-948-5047
 e-Mail info@SAMTEC.com code 55322

DESIGNED AND DIMENSIONED
IN MILLIMETERS [INCHES]

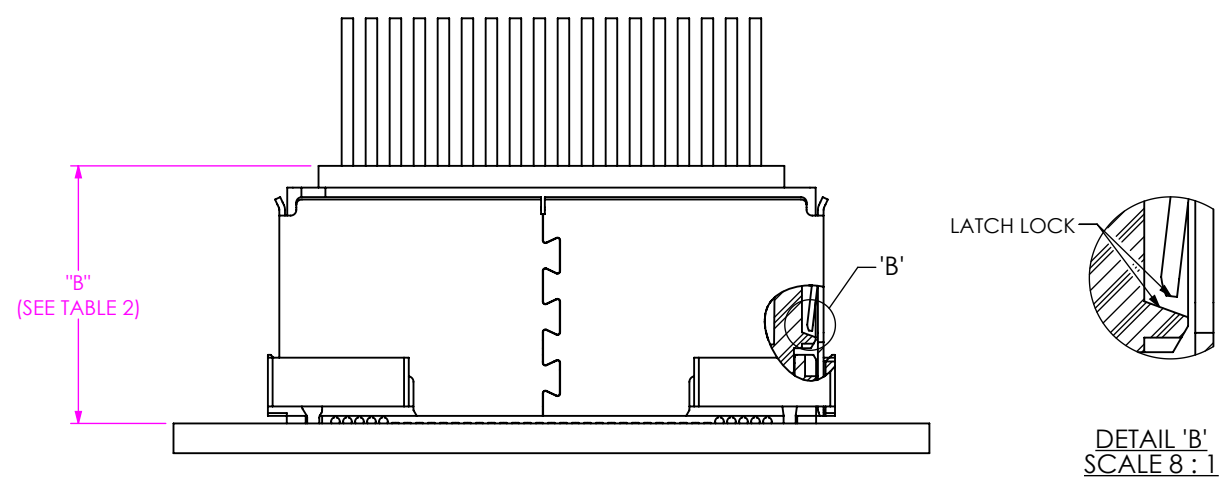


FIG 2
ARP6-T MATED WITH APF6-T

		TABLE 2			
		ARP6		WIPE	
		"B" FULLY MATED	"B" MAX	FULLY MATED	MIN @ "B" MAX
APF6-T	03.5	13.63 [.537]	13.86 [.546]	0.92 [.036]	0.69 [.027]

PROPRIETARY NOTE
 * THIS DOCUMENT CONTAINS CONFIDENTIAL AND PROPRIETARY INFORMATION AND ALL DESIGN, MANUFACTURING, REPRODUCTION, USE, PATENT RIGHTS AND SALES RIGHTS ARE EXPRESSLY RESERVED BY SAMTEC, INC. THIS DOCUMENT SHALL NOT BE DISCLOSED, IN WHOLE OR PART, TO ANY UNAUTHORIZED PERSON OR ENTITY NOR REPRODUCED, TRANSFERRED OR INCORPORATED IN ANY OTHER PROJECT IN ANY MANNER WITHOUT THE EXPRESS WRITTEN CONSENT OF SAMTEC, INC.

samtec
 520 PARK EAST BLVD, NEW ALBANY, IN 47150
 PHONE: 812-944-6733 FAX: 812-948-5047
 e-Mail info@SAMTEC.com code 55322